



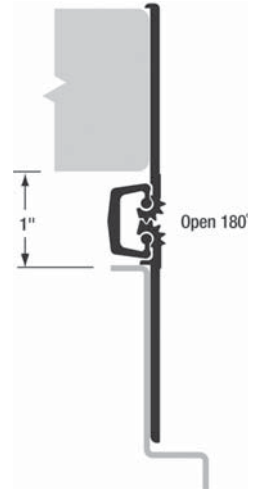
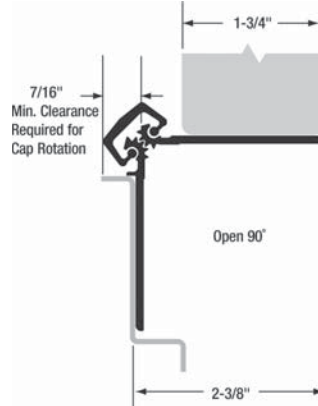
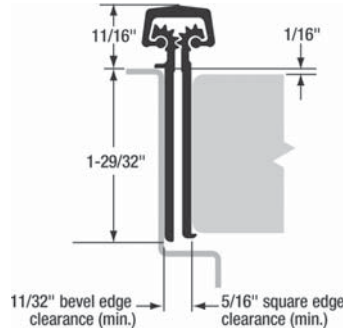
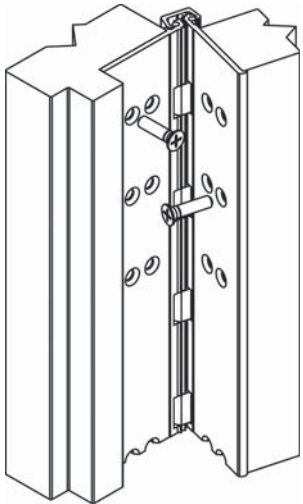
# CG31L HEAVY DUTY SERIES

## FULL MORTISE 1/16" INSET

Closed Position

90° Open Position

180° Open Position



- ◆ For new construction
- ◆ For renovation with new doors and/or frames
- ◆ No mortising of doors or frames required
- ◆ Will cover butt hinge cutouts in old frames
- ◆ Material - Extruded 6063-T6 Aluminum Alloy w/ Polyester thrust bearings
- ◆ Can manufacturer hole sizes & locations per customers specs
- ◆ No door reinforcement required
- ◆ Over 200 lbs. reinforce frame with 16 Ga. Channel
- ◆ For 1 3/4" doors up to 450 lbs it meets ANSI/BHMA A156.26 2006 Grade 2.
- ◆ 1/16" door inset
- ◆ LL for doors up to 1000 lbs it meets ANSI/BHMA A156.26 2006 Grade 1.
- ◆ Door Edge Protector
- ◆ Template and hole pattern is same from hinge to hinge
- ◆ 83" can be field cut to 79" without cutting thru a bearing or mounting holes
- ◆ Hinge is non-handed unless cut in the field
- ◆ UL listed for 90 minute rated doors
- ◆ Can be UL listed for up to 3 hours

PBB Model Number	Length		Screw Count		LL Screw Count	
	Inches	Centimeters	Door	Jamb	Door	Jamb
CG31L83	83"	210.8	19	19	26	26
CG31L85	85"	215.9	19	19	26	26
CG31L95	95"	241.3	21	21	30	30
CG31L120	120"	304.8	23	23	34	34

628 - CLEAR ANODIZED - US28

710 - DARK ANODIZED - US10B

Full Mortise Fasteners-	
<p><b>Screw Pack A</b> #12-24 x 1/2" Phillips Flat Head Undercut Thread Forming Screws</p>	