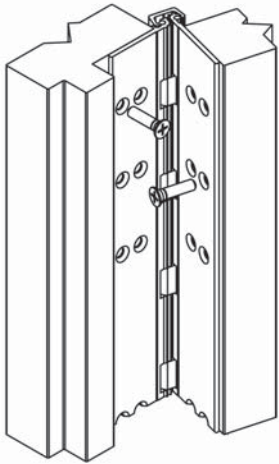


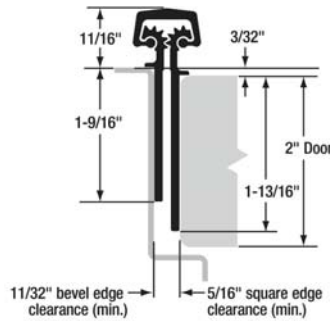


CG31PN HEAVY DUTY SERIES

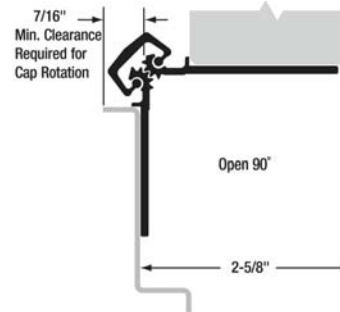
FULL MORTISE 3/32" INSET



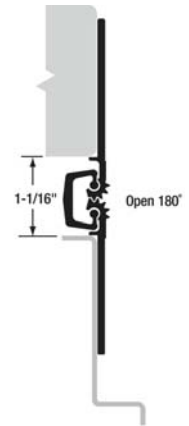
Closed Position



90° Open Position



180° Open Position



- ◆ Narrow frame leaf
- ◆ For new construction
- ◆ For renovation with new doors and/or frames
- ◆ No mortising of doors or frames required
- ◆ Will cover butt hinge cutouts in old frames
- ◆ Material - Extruded 6063-T6 Aluminum Alloy w/ Polyester thrust bearings
- ◆ Can manufacturer hole sizes & locations per customers specs
- ◆ No door reinforcement required
- ◆ Over 200 lbs. reinforce frame with 16 Ga. Channel
- ◆ For 2" doors up to 450 lbs.
- ◆ 3/32" Door inset
- ◆ For use on flush aluminum, glass rail, hollow metal or wood doors
- ◆ Template and hole pattern is same from hinge to hinge
- ◆ 83" can be field cut to 79" without cutting thru a bearing or mounting holes
- ◆ Hinge is non-handed unless cut in the field
- ◆ UL listed for 90 minute rated doors
- ◆ Can be UL listed for up to 3 hours



PBB Model Number	Length		Screw Count		LL Screw Count	
	Inches	Centimeters	Door	Jamb	Door	Jamb
CG31PN83	83"	210.8	25	25	25	25
CG31PN85	85"	215.9	25	25	25	25
CG31PN95	95"	241.3	29	29	29	29
CG31PN120	120"	304.8	33	33	33	33

628 - CLEAR ANODIZED - US28

710 - DARK ANODIZED - US10B

Full Mortise Fasteners-	
<p>Screw Pack A #12-24 x 1/2" Phillips Flat Head Undercut Thread Forming Screws</p>	