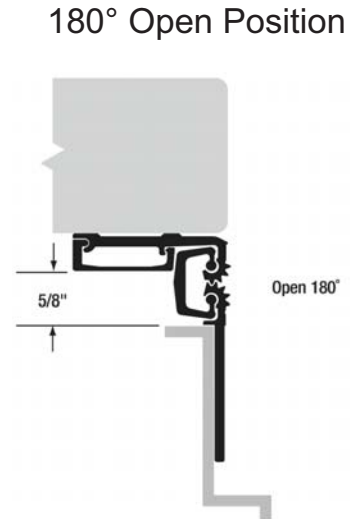
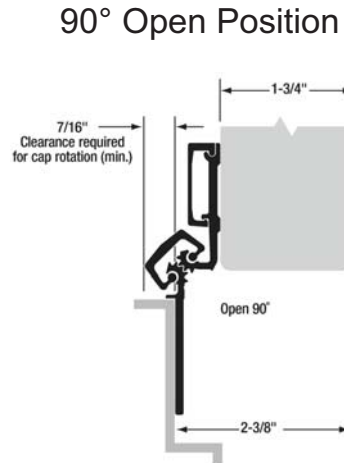
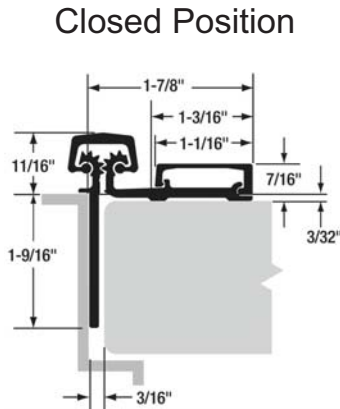
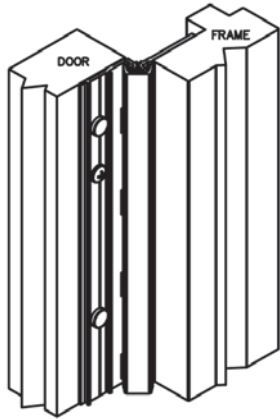




# CG34N HEAVY DUTY SERIES

## HALF SURFACE NARROW FRAME 3/32" INSET



- ◆ For new construction
- ◆ For permanent replacement of existing frame and new doors
- ◆ No mortising of doors or frames required
- ◆ For use on flush aluminum, glass rail, hollow metal or wood doors
- ◆ Will cover butt hinge cut-outs in old frames
- ◆ Half Surface
- ◆ 3/32" inset
- ◆ 1-9/16" frame leaf
- ◆ Material - Extruded 6063-T6 Aluminum Alloy w / Polyester thrust bearings
- ◆ Can manufacturer hole sizes & locations per customers specs
- ◆ No door reinforcement required
- ◆ Over 200 lbs reinforce frame with 16 Ga. channel
- ◆ For doors up to 450 lbs
- ◆ Template and hole pattern is same from hinge to hinge
- ◆ 83" can be field cut to 79" without cutting thru a bearing or mounting
- ◆ Hinge is non-handed unless cut in the field
- ◆ Can be UL listed for up to 3 hours

PBB Model Number	Length		Screw Count	
	Inches	Centimeters	Door	Jamb
CG34N83	83"	210.8	10	19
CG34N85	85"	215.9	10	19
CG34N95	95"	241.3	11	21
CG34N120	120"	304.8	14	23

628 - CLEAR ANODIZED - US28

710 - DARK ANODIZED - US10B

Half Surface Fasteners-			
<p><b>Screw Pack A</b></p> <p>#12-24 x 1/2" Phillips Flat Head Undercut Thread Forming Screws</p>		<p><b>Screw Pack D</b></p> <p>1/4-20 x 1-1/2" Sexbolt and Screw</p>	