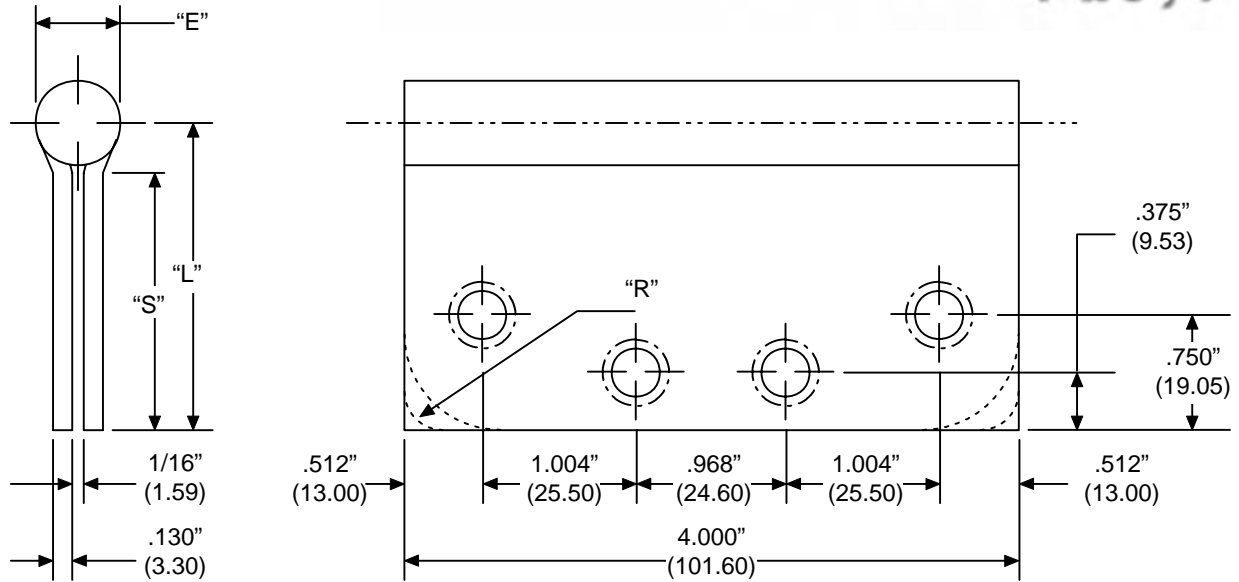




FULL MORTISE STANDARD WEIGHT TEMPLATE

BB - PB - CB - CP - FB

4" x 3", 4" x 4"



Part Number			Gauge of Metal	"E" Outside Dia.	"L" Leaf Width	"S" Swage Line	"R" Corner Radius
Steel	Brass	Stainless					
BB81/CB81	BB21/CB21	BB51/CB51	.130"	.550"	1.50"	1.17"	Square, 1/4", 5/8"
BB81/CB81	BB21/CB21	BB51/CB51	.130"	.550"	1.50"	1.17"	Square, 1/4", 5/8"
BB81/CB81	BB21/CB21	BB51/CB51	.130"	.550"	2.00"	1.67"	Square, 1/4", 5/8"
PB81/CP81	PB21/CP21	PB51/CP51	.130"	.550"	2.00"	1.67"	Square, 1/4", 5/8"

NOTE:

- 1 screw pack includes all machine screws (24), and 1/2 wood screws (12). ATMS & AWS also available.
- Screw size: FHMS - 12-24 x 1/2"
FHWS - 12 x 1-1/4"
- All hinges are ANSI template.

Template: BB40

PBB, Inc.
World Class Hinges

1311 E. Philadelphia Street • Ontario • CA 91761 • USA
PBB reserves the right to make changes without notice.