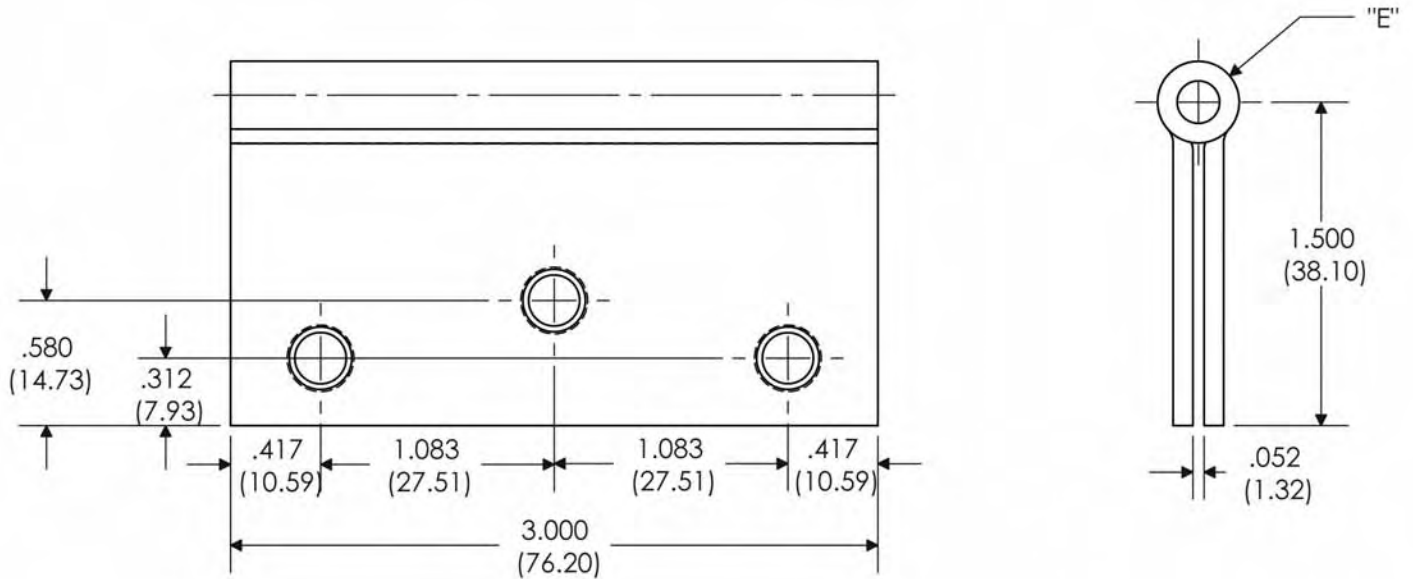




FULL MORTISE NON-TEMPLATE PLAN BEARING

**RP
3" x 3"**



Part Number			Gauge of Metal	"E" Outside Dia.
Steel	Brass	Stainless		
RP81	RP21	RP51	.091"	.418"

NOTE:

- Bulk pack 80 pcs. per carton.
- Screw size: PHWS - 9 x 3/4"
- All hinges are ANSI template.

Template: RPY30

PBB, Inc.
World Class Hinges

1311 E. Philadelphia Street • Ontario • CA 91761 • USA
PBB reserves the right to make changes without notice.