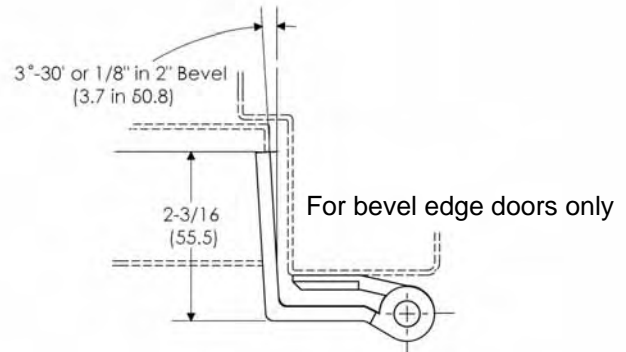
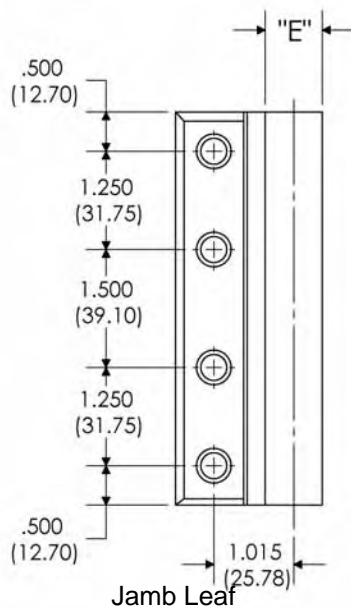
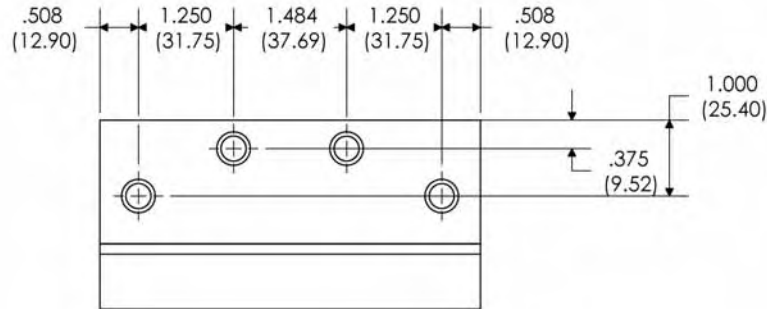
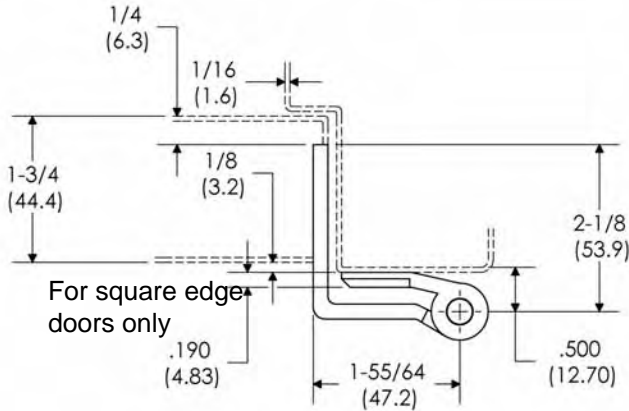




HALF MORTISE SWING CLEAR TEMPLATE

SC4B - SC4C  
5"



NOTE: This hinge alters the normal pivot point of door. For door closers, friction or overhead door holders, to be used in conjunction with this hinge, consult manufacture of the device to be used for application details.

Part Number			Gauge of Metal	"E" Outside Dia.
Steel	Brass	Stainless		
SC4B82/ SC4C82	-	SC4B52/ SC4C52	.190"	.725"

**NOTE:**

- 1 screw pack includes all machine screws (24), and 1/2 wood screws (12).
- Screw size: JAMB LEAF FHMS - 1/2" x 1/4-20  
DOOR LEAF FHWS - 12 x 1-1/2"  
DOOR LEAF FHMS - 12-24 x 1/2"
- All swing clear hinges are made for reversible applications.
- All hinges are ANSI template.

PBB, Inc.  
World Class Hinges

1311 E. Philadelphia Street • Ontario • CA 91761 • USA  
PBB reserves the right to make changes without notice.

Template: SC4B8250