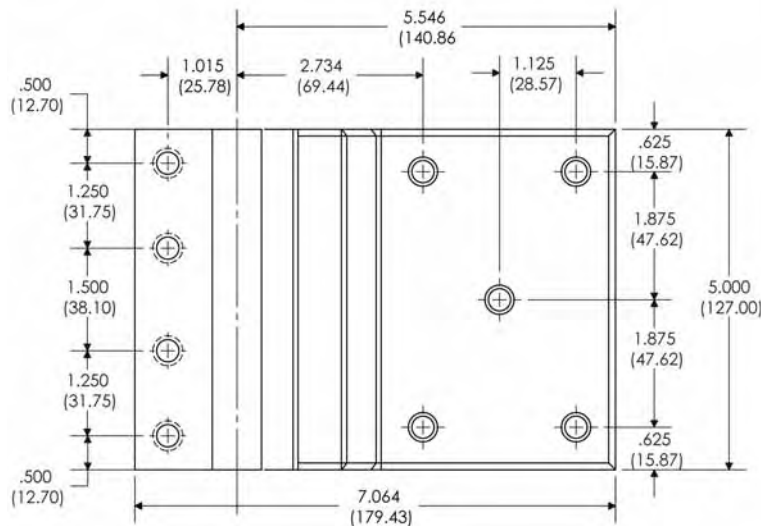
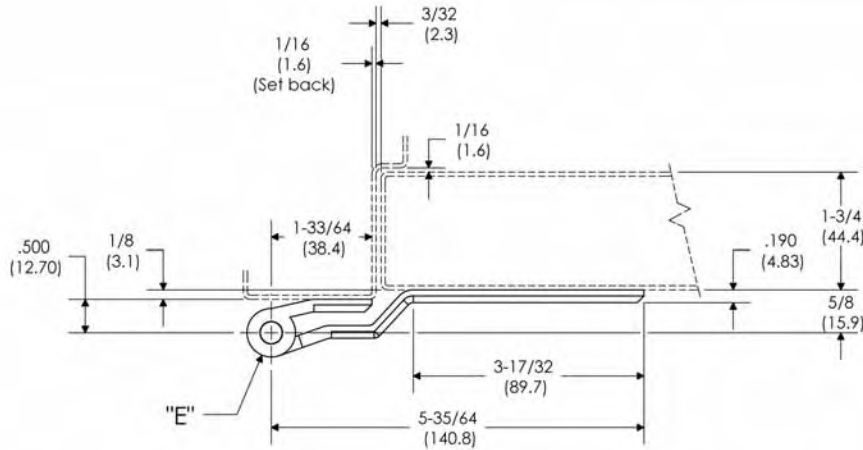




FULL SURFACE SWING CLEAR TEMPLATE

SC4B - SC4C

5"



NOTE: This hinge alters the normal pivot point of door. For door closers, friction or overhead door holders, to be used in conjunction with this hinge, consult manufacturer for the device to be used for application details.

| Part Number       |       |                   | Gauge of Metal | "E" Outside Dia. |
|-------------------|-------|-------------------|----------------|------------------|
| Steel             | Brass | Stainless         |                |                  |
| SC4B83/<br>SC4C83 | -     | SC4B53/<br>SC4C53 | .190"          | .725"            |

**NOTE:**

- 1 screw pack includes all machine screws (12), and oval head machine screws (15) with grommet nuts.
- Screw size: JAMB LEAF FHMS - 1/2" x 1/4-20  
DOOR LEAF OHMS/NUT - 2" x 1/4-20
- All swing clear hinges are made for reversible applications.
- All hinges are ANSI template.