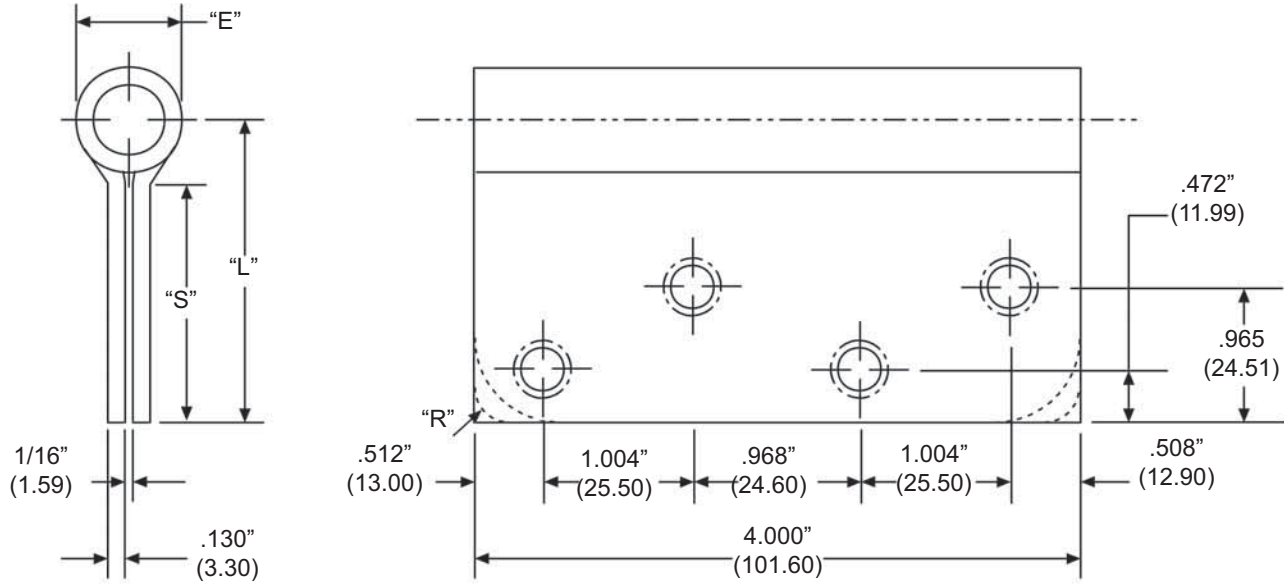




FULL MORTISE STEEL SPRING TEMPLATE

SP
4" x 4"



Part Number			Gauge of Metal	"E" Outside Dia.	"L" Leaf Width	"S" Swage Line	"R" Corner Radius
Steel	Brass	Stainless					
SP81	-	SP51	.130"	.780"	2.00"	1.54"	Square, 1/4", 5/8"

NOTE:

- 1 screw pack includes machine screws (18), and wood screws (18).
- Screw size: FHMS - 10-24 x 1/2"
FHWS - 10 x 1"
- All hinges are ANSI template.

Template: SPY40