



## CH52CL INSTALLATION INSTRUCTIONS

All holes in the door and frame must be drilled correctly and properly installed. Failure to do so will void the UL fire rated listing.

The Universal Screw Pack contains sheet metal and self-drilling Tek screws. This allows two different installation option. If installing a wood or non-reinforced hollow metal door, follow option (A) in the instructions. If you use the self-drilling Tek screws (recommended for grouting frames), follow option (B). If the grout is hard, drilling a pilot hole can help.

- Perform each step of these instructions unless specially labeled (A) or (B).

### Frame Preparation

- (1) Place hinge on frame as shown in Figure 1 on page 2 of these instructions.
  - Allow 1/8" between top of hinge and underside of header panel on frame.
  - Place the hinge edge in line with the frame face. Accurate location is important for proper installation.
- (2) Use two slotted screw holes on top and two slotted screw holes on the bottom of the hinge to initially mount the hinge onto the door and frame. The door position can then be easily adjusted before installing the remaining screws to secure the final door position.
- (3) Carefully mark all the hole locations on the door jamb with the hinge held firmly in place. (Be sure the hinge is level and plumb with frame before proceeding further)
- (4) Mark and center punch each hole. The use of the Pbb drill tool can help center the hole so that the fasteners will enter straight.
- (5) (A) or (B) Drill all the holes using a #26 drill.

### Door Preparation

- (6) Place the hinge on the edge of the door.
  - Carefully line up the hinge with the top and back edges of the door. Position the integral corner guard fully against the "push" face of the door. Check handing.
- (7) Mark all the hole locations on the door with the hinge held firmly in place. The use of the Pbb drill tool can help center the hole so that the fasteners will enter straight.
- (8) Center punch each hole.
- (9) (A) or (B) Drill all the holes using a #26 drill.
- (10-A) Attach the hinge to the door with #10 x 1-1/4" flat head undercut sheet metal screws. (Figure 2)
- OR
- (10-B) Attach the hinge to the door with #10 x 3/4" flat head undercut self-drilling Tek screws. (Figure 2) (*Advise Caution-Use of power drill may over-torque self drilling screw and cause stripping of threads.*)
- (11) Attach the hinge to the frame
  - (A) using #10 x 1-1/4" flat head undercut sheet metal screws. (Figure 2)
  - OR
  - (B) using self-drilling Tek screws. (Figure 2) (*Advise Caution-Use of power drill may over-torque self drilling screw and cause stripping of threads.*)
- (12) Carefully close the door and check for proper alignment and door clearances.
  - If the door requires adjustment for proper fit, make this adjustment by loosening screws on the frame leaf and shimming where needed using shims. (Call PBB for shims)
  - Follow instructions in the box for field cut-down.
  - Hospital tips on hinges should be placed on the top of the door.

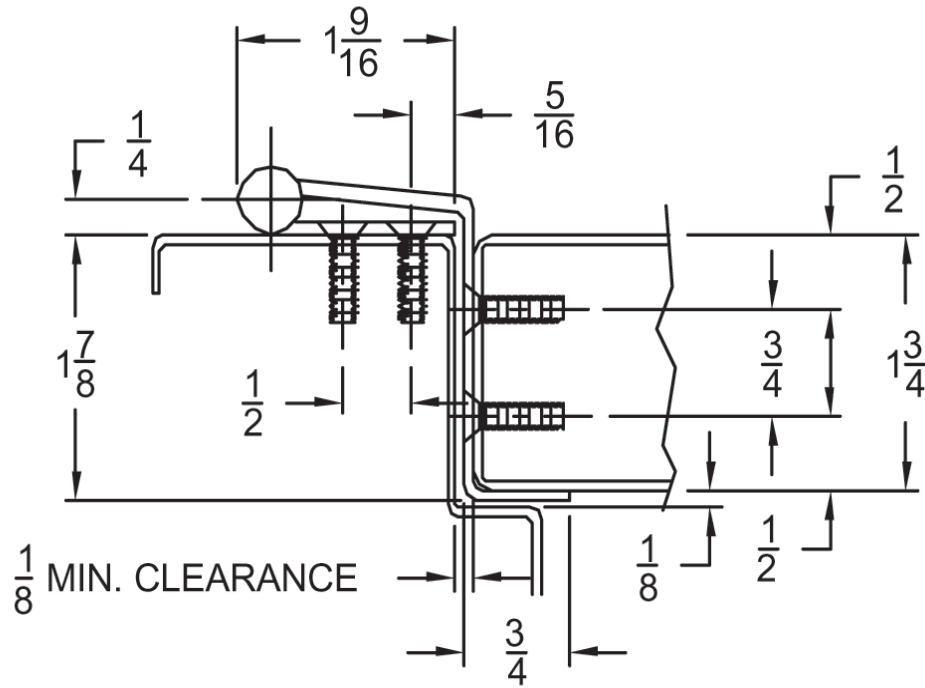
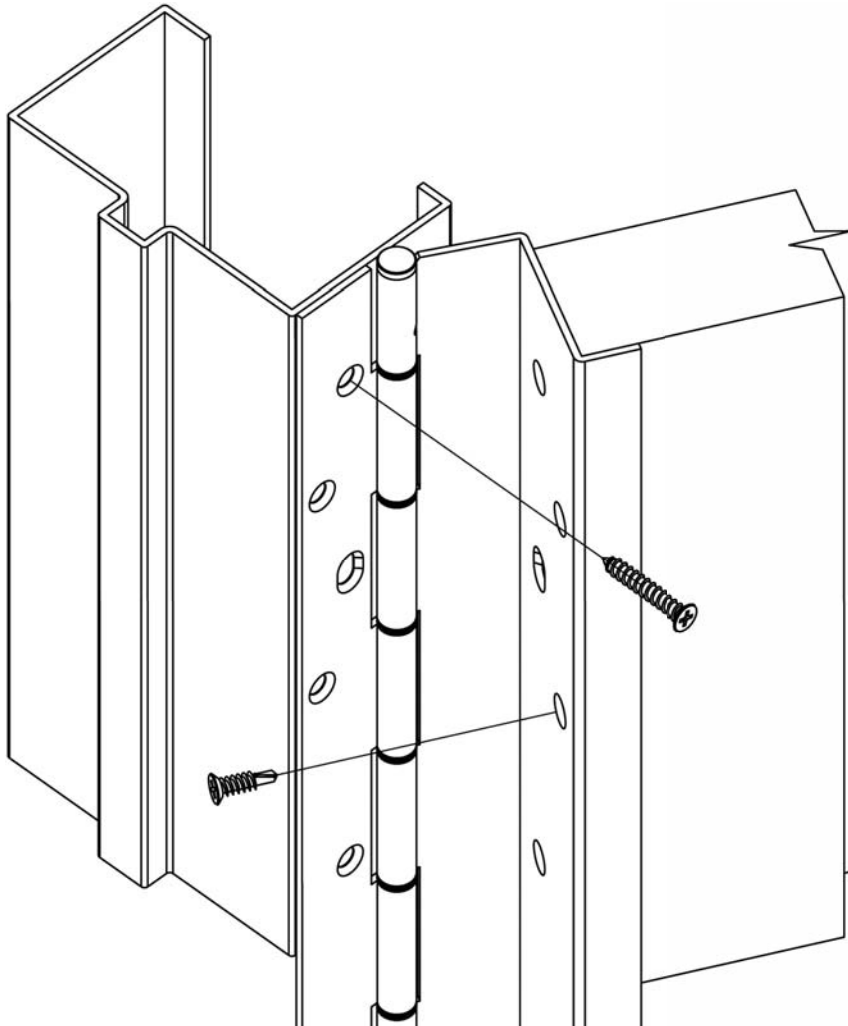
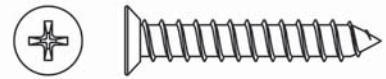


Figure 1: Hinge Placement & Clearance Template

STANDARD HARDWARE



#10 x 1-1/4" Phillips Flat Head Undercut Sheet Metal Screw



#10 x 3/4" Phillips Flat Head Undercut Self Drilling Tek Screw



*(Caution-Use of power drill may over-torque self drilling screw and cause stripping of threads.)*

Figure 2: Installation (Exploded View)

Universal Screw Pack