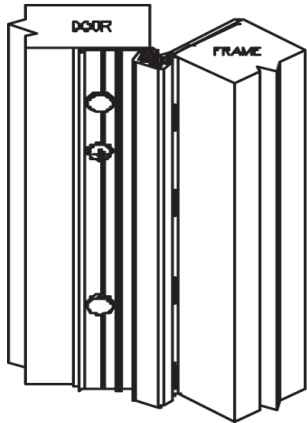


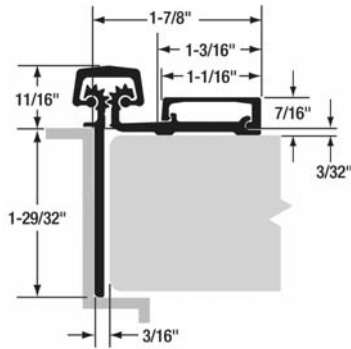


# CG34 HEAVY DUTY SERIES

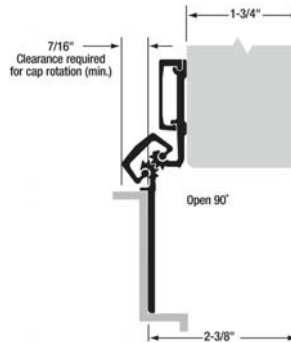
## HALF SURFACE NARROW FRAME 3/32" INSET



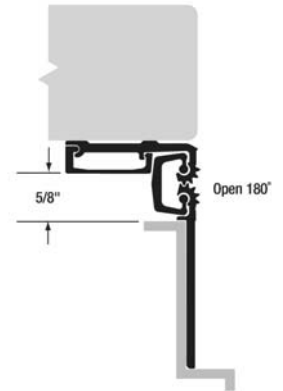
Closed Position



90° Open Position



180° Open Position



- ◆ For new construction
- ◆ For permanent replacement of existing doors and frames
- ◆ No mortising of doors or frames required
- ◆ For use on flush aluminum, glass rail, hollow metal or wood doors
- ◆ Will cover butt hinge cutouts in old frames
- ◆ Half Surface
- ◆ 1-29/32" frame leaf
- ◆ 3/32" inset
- ◆ Material - Extruded 6063-T6 Aluminum Alloy w/ Polyacetal thrust bearings
- ◆ Can manufacturer hole sizes & locations per customers specs
- ◆ No door reinforcement required
- ◆ Over 200 lbs reinforce frame with 16 Ga. channel
- ◆ For doors up to 450 lbs.
- ◆ LL for doors up to 1000 lbs
- ◆ Template and hole pattern is same from hinge to hinge
- ◆ 83" can be field cut to 79" without cutting thru a bearing or mounting holes
- ◆ Hinge is non-handed unless cut in the field
- ◆ UL listed for up to 3 hours with use of Pryo Studs (Additional Cost)

PBB Model Number	Length		Screw Count	
	Inches	Centimeters	Door	Jamb
CG3483	83"	210.8	10	19
CG3485	85"	215.9	10	19
CG3495	95"	241.3	11	21
CG34120	120"	304.8	14	23

628 - CLEAR ANODIZED - US28

710 - DARK ANODIZED - US10B

Half Surface Fasteners-			
<b>Screw Pack A</b> #12-24 x 1/2" Phillips Flat Head Undercut Thread Forming Screws		<b>Screw Pack D</b> 1/4-20 x 1-1/2" Sexbolt and Screw	