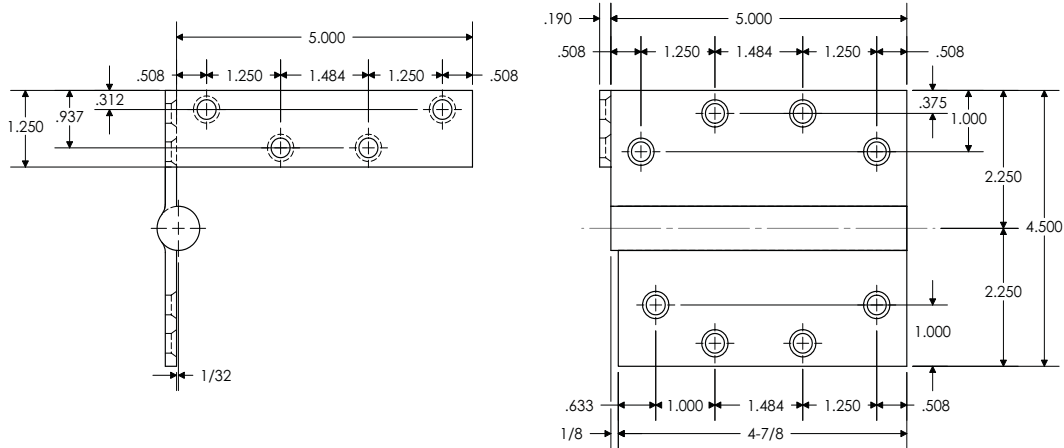




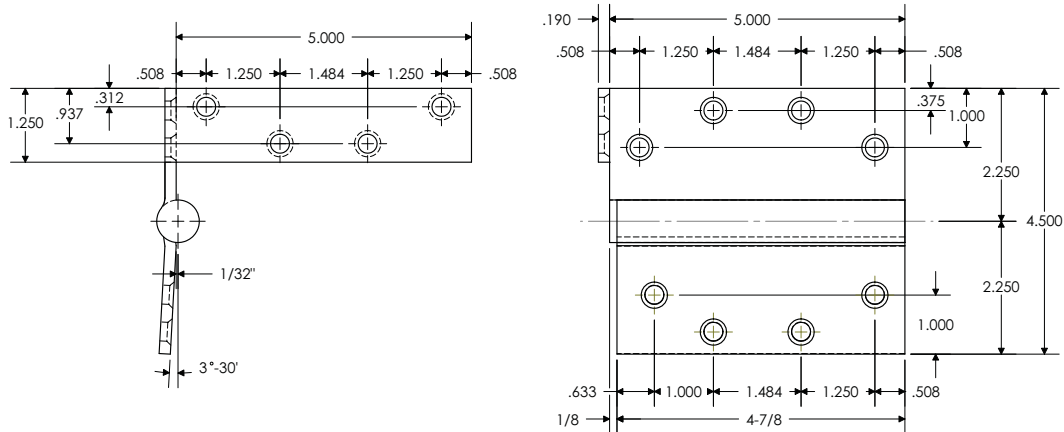
**FULL MORTISE HEAVY WEIGHT ANCHOR HINGE**

**AC4B - AC4C**  
**5" X 4 1/2"**

For Square Edge Door



For Bevel Edge Door



Right Handed Shown  
 Left Handed Opposite

Part Number			Gauge of Metal	Knuckle Dia.
Steel	Brass	Stainless		
AC4B81	AC4B21	AC4B51	.190"	.720
AC4C81	AC4C21	AC4C51		

**NOTE:**

- 1 screw pack includes all machine and all wood screws.
- Screw size: FHMS - 12-24 x 1/2"  
FHWS - 12 x 1-1/4"
- All hinges are ANSI template.