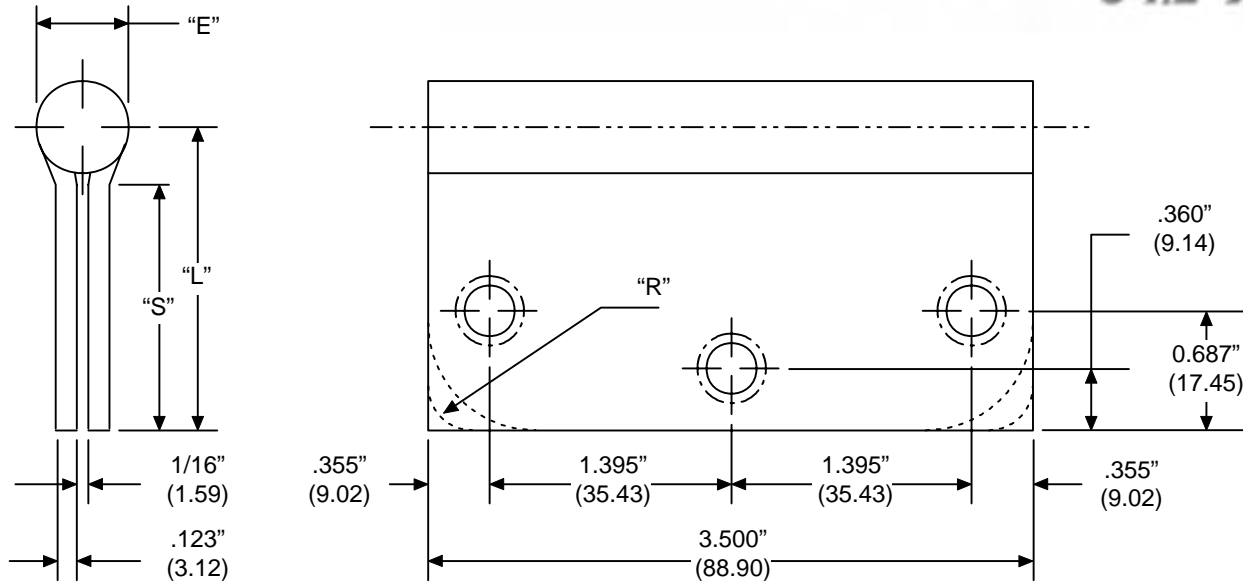




FULL MORTISE STANDARD WEIGHT TEMPLATE

BB - PB - CB - CP - FB

3-1/2" X 3-1/2"



Part Number			Gauge of Metal	"E" Outside Dia.	"L" Leaf Width	"S" Swage Line	"R" Corner Radius
Steel	Brass	Stainless					
BB81/CB81	BB21/CB21	BB51/CB51	.123"	.535"	1.75"	1.42"	Square, 1/4", 5/8"
PB81/CP81	PB21/CP21	PB51/CP51	.123"	.535"	1.75"	1.42"	Square, 1/4", 5/8"

NOTE:

- 1 screw pack includes machine screws (18), and wood screws (18).
- Screw size: FHMS - 10-24 x 1/2"
FHWS - 10 x 1"
- All hinges are ANSI template.