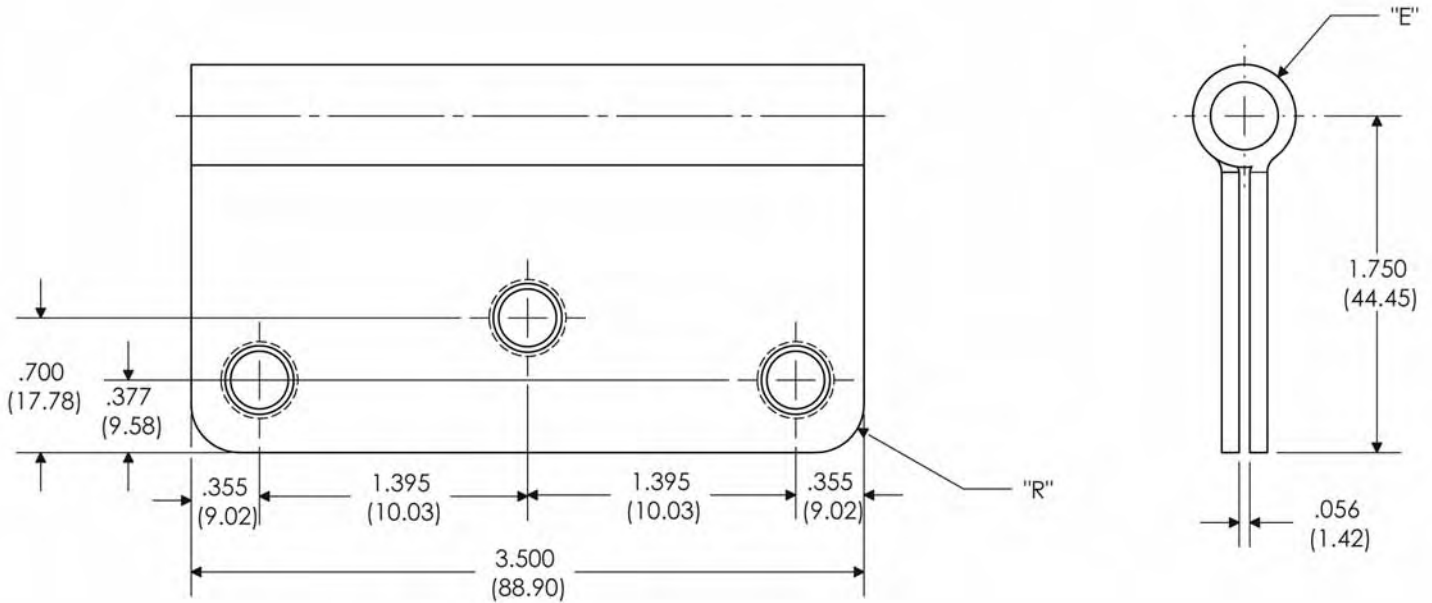




FULL MORTISE NON-TEMPLATE PLAN BEARING

RP
3-1/2" x 3-1/2"



Part Number			Gauge of Metal	"E" Outside Dia.	"R" Corner Radius
Steel	Brass	Stainless			
RP81	RP21	RP51	.091"	.418"	Square
RP81	RP21	RP51	.091"	.418"	1/4"
RP81	RP21	RP51	.091"	.418"	5/8"

NOTE:

- Bulk pack 80 pcs. per carton.
- Screw size: PHWS - 9 x 3/4"
PHMS - 10-24 x 3/4"
PHWS - 10 x 1"
- All hinges are ANSI template.