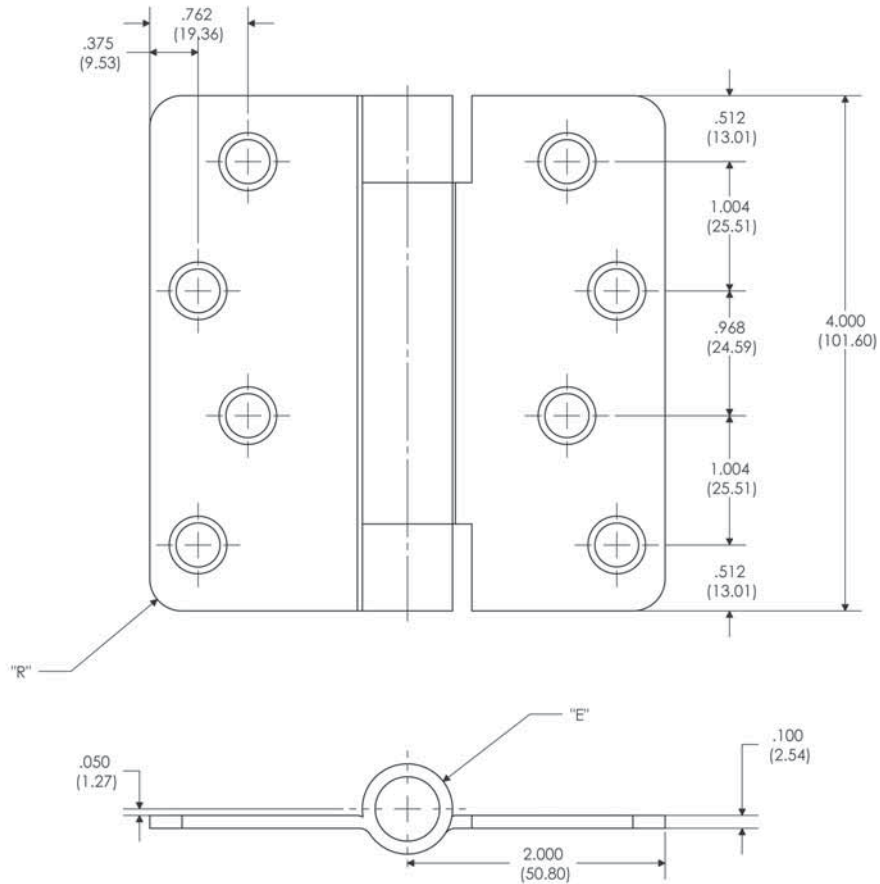




FULL MORTISE U.L. LISTED SPRING HINGE

RS
4" x 4"



Part Number			Gauge of Metal	"E" Outside Dia.	"R" Corner Radius
Steel	Brass	Stainless			
RS81	-	-	.100"	.720"	Square
RS81	-	-	.100"	.720"	1/4"
RS81	-	-	.100"	.720"	5/8"

NOTE:

- 1 screw pack includes (24) machine screws and 1/2 (12) wood screws. ATMS & AWS also available.
- Screw size: FHMS - 12-24 x 1/2"
FHWS - 12 x 1-1/4"
- All hinges are ANSI template.

PBB, Inc.
World Class Hinges
1311 E. Philadelphia Street • Ontario • CA 91761 • USA
PBB reserves the right to make changes without notice.

Template: RSY40