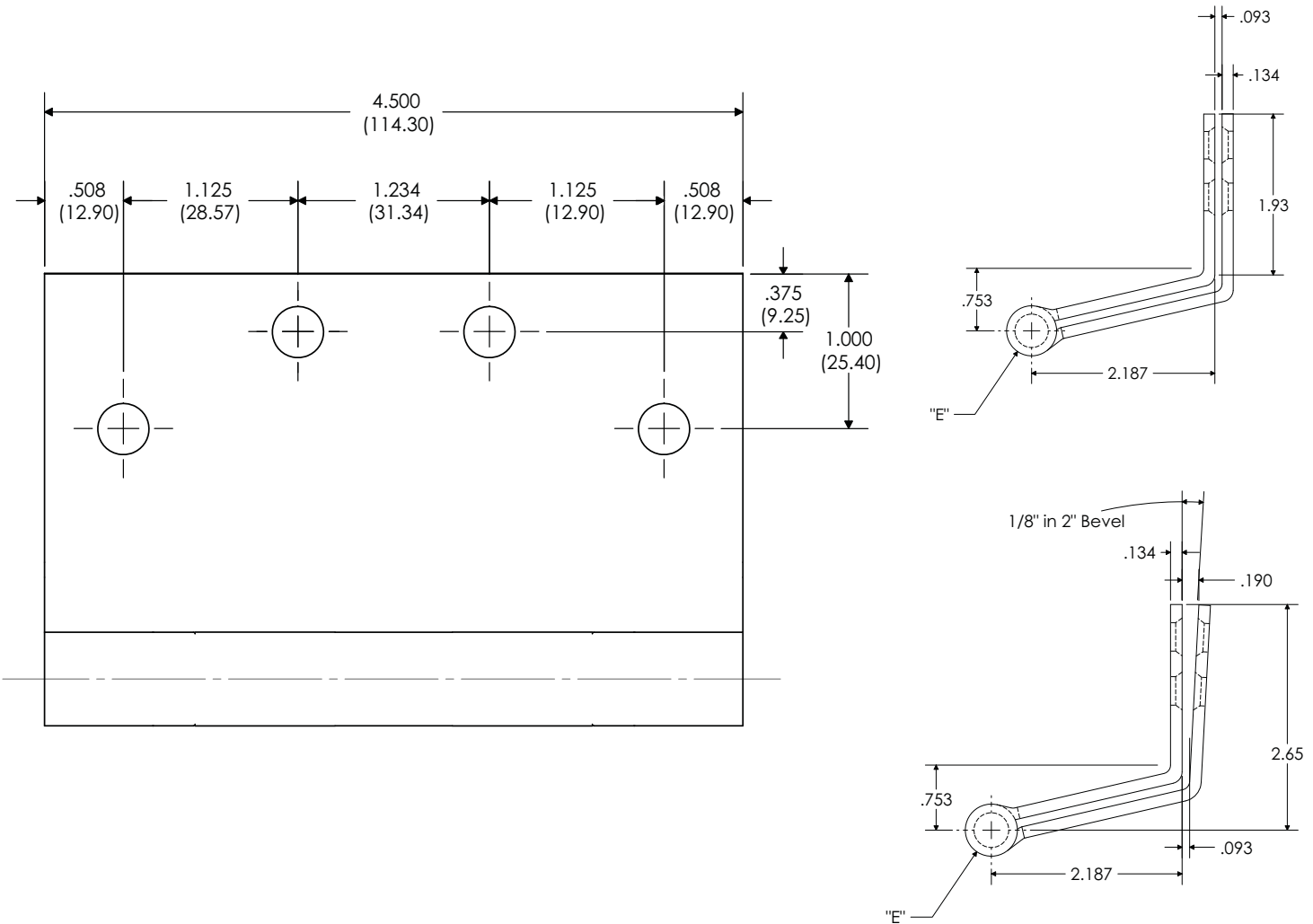




SWING CLEAR FULL MORTISE TEMPLATE BALL BEARING

SCBB
4-1/2"



Part Number			Gauge of Metal	"E" Outside Dia.
Steel	Brass	Stainless		
SCBB81	-	SCBB51	.134"	.603"

NOTE:

- 1 screw pack includes all machine screws (24), and 1/2 wood screws (12). ATMS & AWS also available.
- Screw size: FHMS - 12-24 x 1/2"
FHWS - 12 x 1-1/4"
- This special model of swing clear hinge is made to specifically fit timely or rediframe trim casing applications.
- All hinges are ANSI template.

Template: SCBB8145T