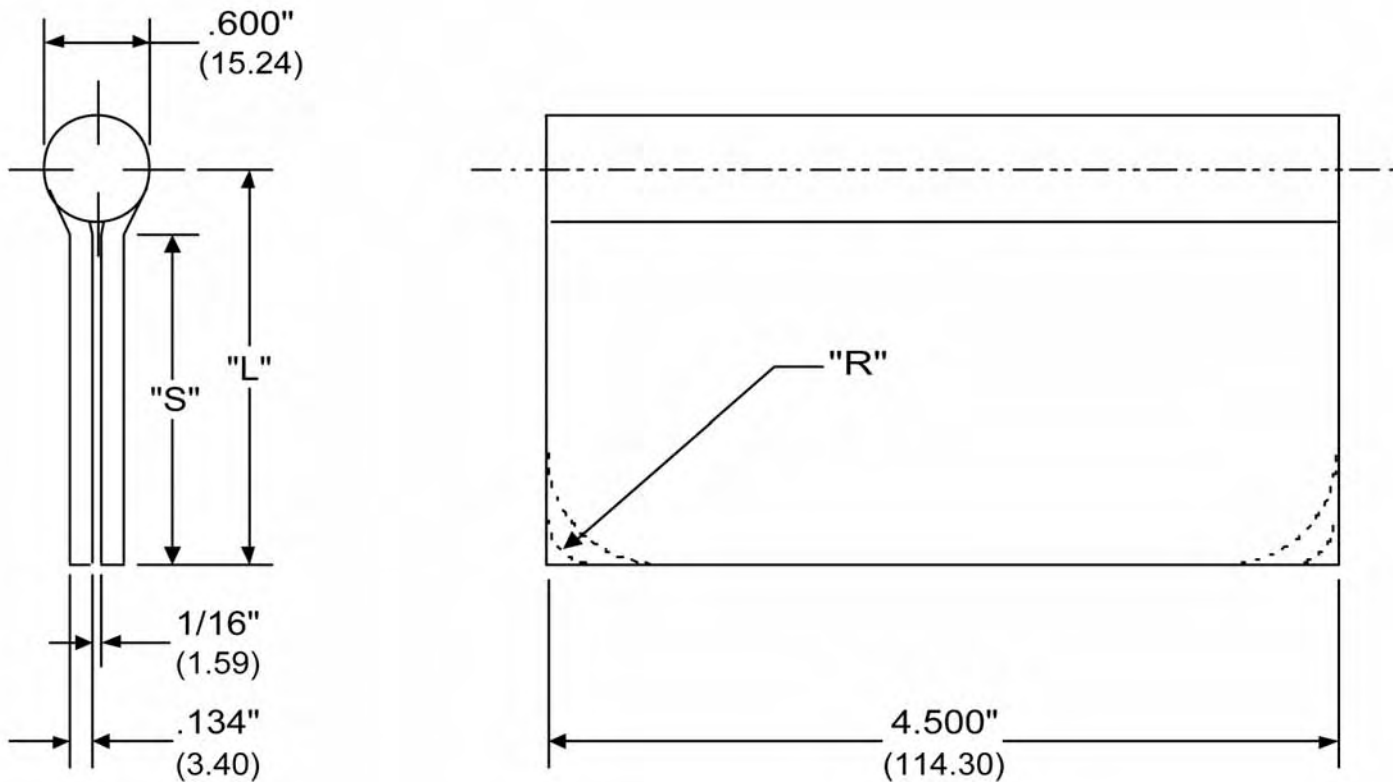




FULL MORTISE WELDING BUTT TEMPLATE

WBPB - WBBB

4 1/2" x 4" 4 1/2" x 4 1/2"



Part Number			Gauge of Metal	"E" Outside Dia.	"L" Leaf Width	"S" Swage Line	"R" Corner Radius
Steel	Brass	Stainless					
WBPB81/ WBBB81	-	-	.134"	.600"	2.00"	1.63"	Square, 1/4", 5/8"
WBPB81/ WBBB81	-	-	.134"	.600"	2.25"	1.88"	Square, 1/4", 5/8"

NOTE:
 •16 unit carton or 48 hinges per master shipping carton.
 •All hinges are ANSI template.